

D. P. M. (MICROPROCESS)

DER EE[®]

WATT/VAR HOUR METER

ISO 9001



- DE-12WH** 1 ϕ 2 W Watt-Hour Meter
- DE-13WH** 1 ϕ 3 W Watt-Hour Meter
- DE-33WH** 3 ϕ 3 W Watt-Hour Meter
- DE-34WH** 3 ϕ 4 W Watt-Hour Meter
- DE-12QH** 1 ϕ 2 W Var-Hour Meter
- DE-13QH** 1 ϕ 3 W Var-Hour Meter
- DE-33QH** 3 ϕ 3 W Var-Hour Meter
- DE-34QH** 3 ϕ 4 W Var-Hour Meter

■ Features

- Max. display 8 digits
- CT x PT rate free setting
- RS-485 interface (Option)
- Pulse output (Option)
- DIN case 96 x 48mm



- DE-12BH** 1 ϕ 2 W Dual KWH/KW Meter
- DE-13BH** 1 ϕ 3 W Dual KWH/KW Meter
- DE-33BH** 3 ϕ 3 W Dual KWH/KW Meter
- DE-34BH** 3 ϕ 4 W Dual KWH/KW Meter

■ Features

- Max. display 8 digits (KWH)
- Max. display 5 digits can change Watt-Hour or Watt
- CT x PT rate free setting
- RS-485 interface (Option)
- Pulse output (Option)
- DIN case 96 x 48mm



- DE-12DH** 1 ϕ 2 W WH/DW Meter
- DE-13DH** 1 ϕ 3 W WH/DW Meter
- DE-33DH** 3 ϕ 3 W WH/DW Meter
- DE-34DH** 3 ϕ 4 W WH/DW Meter

■ Features

- Max. display 8 digits (Total)
- Max. display 5 digits Demand W (15min)
- Rate free setting
- RS-485 interface (Option)
- Pulse output (Option)
- DIN case 96 x 48mm



- DE-12TH** 1 ϕ 2 W Power Meter
- DE-13TH** 1 ϕ 3 W Power Meter
- DE-33TH** 3 ϕ 3 W Power Meter
- DE-34TH** 3 ϕ 4 W Power Meter

■ Features

- Max. display 8 digits (KWH)
- Max. display 4 digits can change Voltage. Current or Watt
- PT x CT rate free setting
- RS-485 interface (Option)
- Pulse output (Option)
- DIN case 96 x 48mm

得益工業儀器有限公司

DER EE

ELECTRICAL INSTRUMENT CO., LTD.

新北市中和區中山路二段351號7樓(華隆科技大樓)
 7F, No. 351, Sec. 2, Chung Shan Rd.,
 Chung Ho Dist., New Taipei City, Taiwan
 TEL: 886-2-2226-6789 (REP.) FAX: 886-2-2226-7979
 E-mail: deree@ms21.hinet.net <http://www.deree.com.tw>

Appearance and specification may be revised if needed without notice in prior.

Specifications

Display : 8 digits Red LED 0.3" high (KWH)

4 digits Green LED 0.3" high

Parameter setting : Touch switches

Memory : NV RAM

Accuracy : $\pm 0.25\%$ FS. ± 2 digits (V, A)

$\pm 0.5\%$ FS. ± 2 digits (KW, KWH)

Operating Temp. : 0~50°C/ Below 80%R.H.

Storage Temp. : -10~60°C/ Below 70% R.H.

Power Supply : AC 115 / 230V $\pm 10\%$, 50/60Hz

Option : DC 12, 24, 48, 120V $\pm 20\%$

Power Consumption : Approx. 4VA

Dielectric Strength : AC 2000V/1min (Input / Power)

Insulation Resistance : More than 100M Ω at 500VDC

Dimensions : 96(W) \times 48(H) \times 112.5(D)mm

Panel Cut-Out : 91.4(W) \times 44(H)mm

Input

Circuit	AC Input			Max. Reading (KWH/VAR)
1 ϕ 2W	Voltage	Current	Freq.	99999.999
1 ϕ 3W	120V	1A	50Hz	999999.99
3 ϕ 3W	240V	5A	60Hz	9999999.9
3 ϕ 4W	480V			99999999

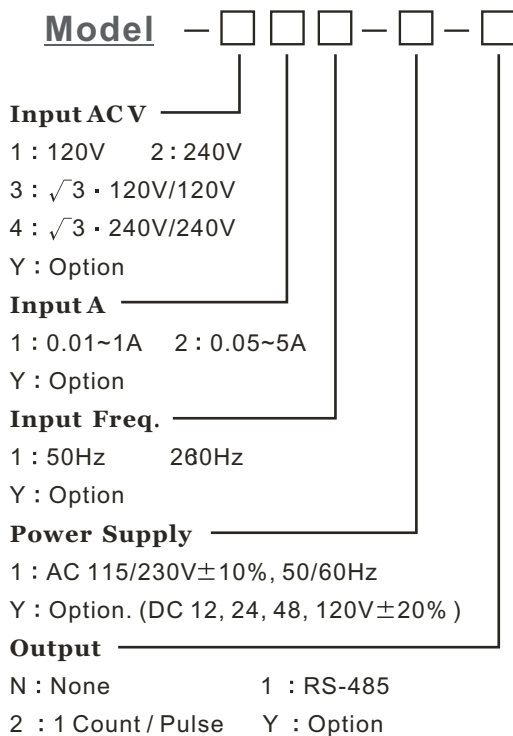
Burden : Voltage $\leq 0.2VA$

Current $\leq 0.2VA$

Max. Over : Voltage \rightarrow AC 650V continuous

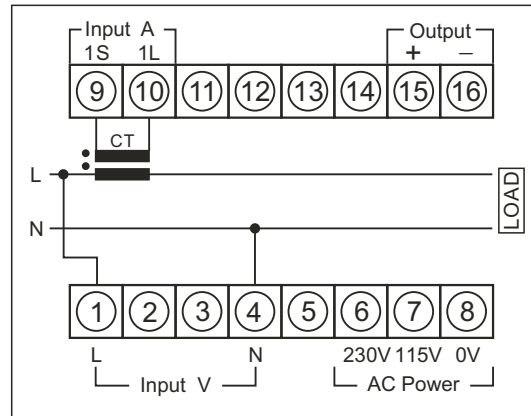
Current \rightarrow 3 x rated continuous

Order Code

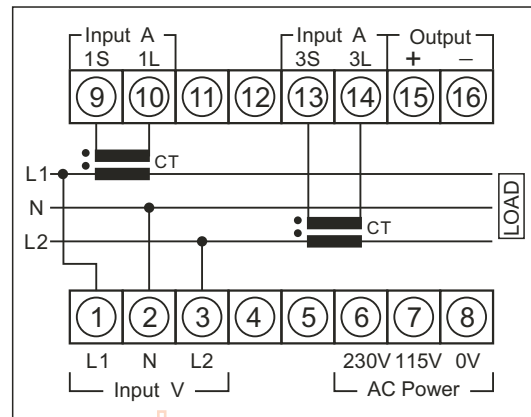


Connection Diagram

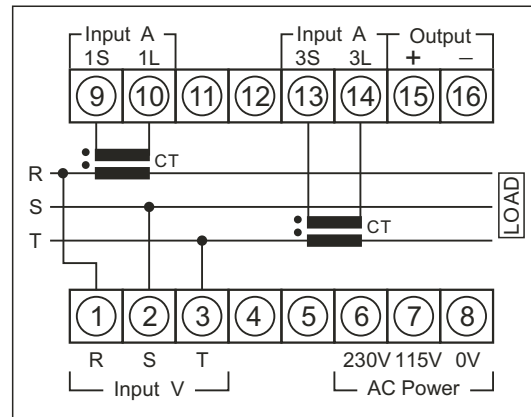
Model : DE-12



Model : DE-13



Model : DE-33



Model : DE-34

