



ISO 9001



DE-S944A AC V/A Meter (4-sets)

DE-S944D DC V/A Meter (4-sets)

DE-S942A AC V/A Meter (2-sets)

DE-S942D DC V/A Meter (2-sets)

Features

- Relay Output Delay 0~9sec.
- 4 - sets HH, HI, LO, LL (DE-S944)
- 2 - sets HI, LO (DE-S942)
- True RMS V/A
- CT or PT Rate Free Setting
- Direct Setting Function
- DIN Case 96 x48mm

Specifications

Display : 0.4" height red LED

0.3" height green LED

Max. Display : 4 digits (9999)

Polarity Display : "—"symbol is displayed automatically

Over Range Indication : " OL "

Conversion Rate : 2.5/sec. (DC) or 1/sec. (AC)

Decimal Point : Settable to any digit position by front sheet switch

External Control : Hold

Accuracy (23 ±5°C) : ±0.1% F.S. ±2 digits

Operating Temp. / Humidity : 0~50°C / Below 80% R.H.
(No Condensation)

Storage Temp. / Humidity : -10~60°C / Below 70% R.H.
(No Condensation)

Power Supply : AC 115/230V ±10%, 50/60Hz
DC 24, 48, 120V ±20%

Power Consumption : Approx. 5VA

Weight : Approx. 420g

Dielectric Strength : Isolation between input & output
AC 1500V/1min

Insulation Resistance : More than 100MΩ between
terminals at 500V DC

Dimension : 96(W) x48(H) x144(D)mm

Panel Cut-Out : 91.5(W) x44(H)mm

Comparison Section

Control System : Microcomputer

Range : -9999 ~ +9999

Relay Contact Capacity : AC 250V, 1A resistive load
DC 30V, 2A resistive load

Comparative Condition :

Model : DE-S944

Indication > HH set point → HH LED on .

HH set point ≥ Indication > HI set point → HI LED on .

HI set point ≥ Indication > LO set point → GO LED on .

LO set point ≥ Indication > LL set point → LO LED on .

LL set point ≥ Indication → LL LED on .

Model : DE-S942

Indication > HI set point → HI LED on .

HI set point ≥ Indication > LO set point → GO LED on .

LO set point > Indication → LO LED on .

Voltage Measurement

Order Code	Range	Input Impedance	Input Protection	Display Adjustable
V1	0~ 999.9mV	1MΩ	300V	Offset ±9999 Fullscale ±9999
V2	0~ 9.999V	1MΩ	300V	
V3	0~ 99.99V	1MΩ	300V	
V4	0~ 600.0V	1MΩ	600V	

Current Measurement

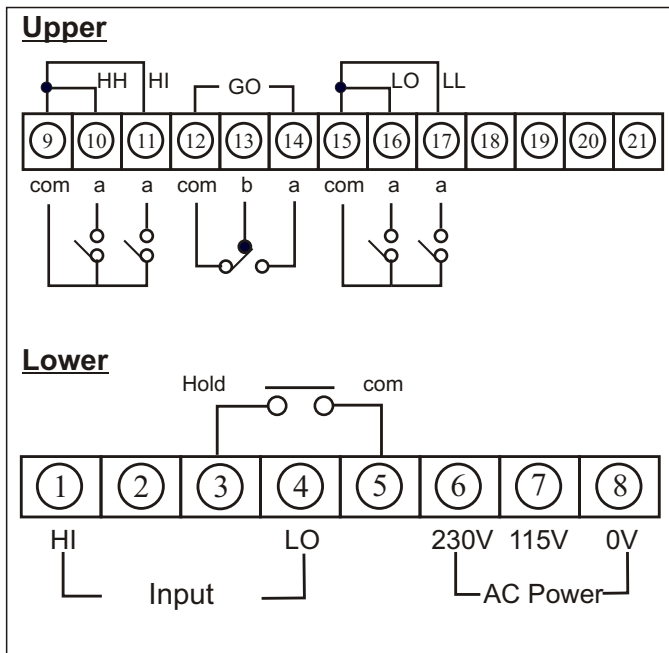
Order Code	Range	Input Impedance	Input Protection	Display Adjustable
A1	0~999.9uA	100Ω	50mA	Offset ±9999 Fullscale ±9999
A2	0~9.999mA	10Ω	150mA	
A3	0~99.99mA	1Ω	500mA	
A4	0~999.9mA	0.1Ω	3A	
A5	0~5.000A	0.01Ω	10A	
A6	0~10.00A	0.01Ω	15A	

Analog Input Measurement

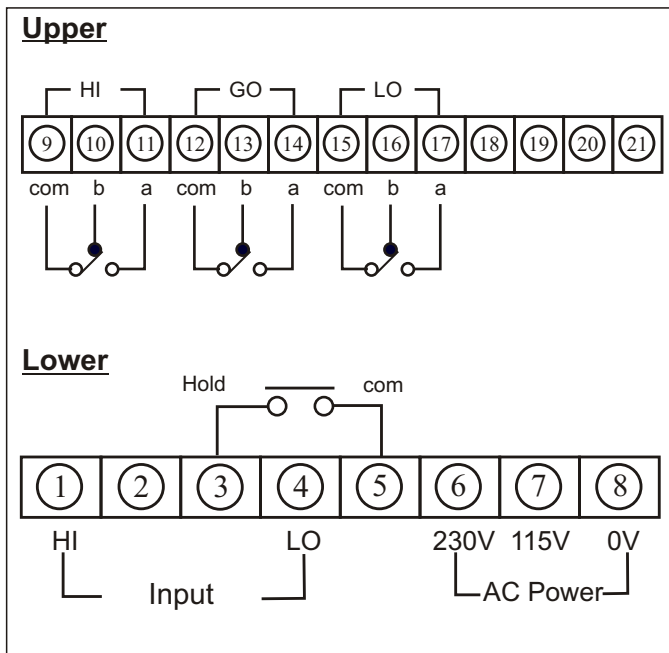
Order Code	Range	Input Impedance	Input Protection	Display Adjustable
11	DC 1~5V	1MΩ	±300V	Offset ±9999 Fullscale ±9999
12	DC 0~10V			
13	DC 0~50mV			
14	DC 0~60mV			
21	DC 4~20mA			

■ Connection Diagram

Model : DE-S944A, DE-S944D



Model : DE-S942A, DE-S942D



■ Order Code

DE-S944A

DE-S944D

DE-S942A

DE-S942D

Range

V1~V4

A1~A6

11~14

21

00 : Option

Power Supply

1 : AC 115/230V $\pm 10\%$, 50/60Hz

Y : Option (DC 24, 48, 120V $\pm 20\%$)

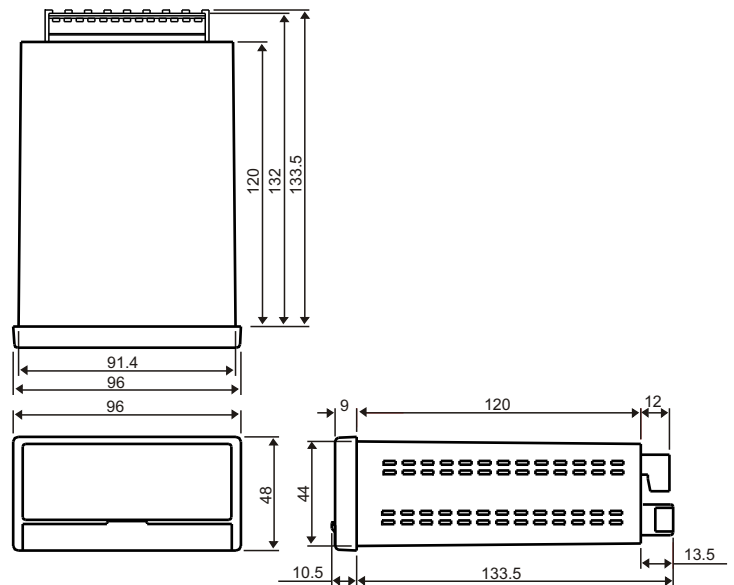
Code Number

Example : DE - S944A - A5 - 1

Measurement : AC 0~5.000A

Power Supply : AC 115/230V $\pm 10\%$

■ Dimension



得益工業儀器有限公司

DER EE

ELECTRICAL INSTRUMENT CO., LTD.

台灣台北縣中和市中山路二段351號7F之2(華隆科技大樓)

7F-2, NO.351, SEC.2, CHUNG SHAN ROAD.,

CHUNG HO CITY, TAIPEI HSIEN, TAIWAN

TEL:886-2-2226-6789(REP.) FAX:886-2-2226-7979

E-mail:deree@ms21.hinet.net

http://www.deree.com.tw

ISO 9001

Appearance and specification may be revised if needed without notice in prior.