



DE - RS40 4 Digital RS-485 Meter
DE - RS45 4 1/2 Digital RS-485 Meter

Features

- RX .TX indication
- ABS fire-retardant case(94-V0)
- DIN Case 96 x48mm

Specifications

Display : 4 1/2 digits, 0.56" LED high (DE-RS45)
 4 digits, 0.8" LED high (DE-RS40)

Input Signal : RS-485

Baud rate : 1200,2400,4800,9600 (Option : 19200)

Address : 1 ~ FF

Protocol : Modbus (Standard)

Operating Temp. : 0~50°C/ Below 80%R.H.
 (No Condensation)

Storage Temp. : -10~60°C/ Below 70% R.H.
 (No Condensation)

Power Supply : AC 115/230V ±10%, 50/60Hz

Power Consumption : Approx. 3VA

Weight : Approx.450g

Dielectric Strength : AC 1500V/1min (Input/Power)

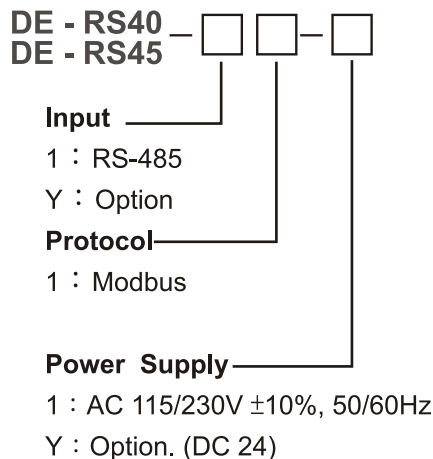
Isolation Resistance : DC 500V, 100MΩ at above terminals

Dimension : 96(W) x48(H) x144(D)mm

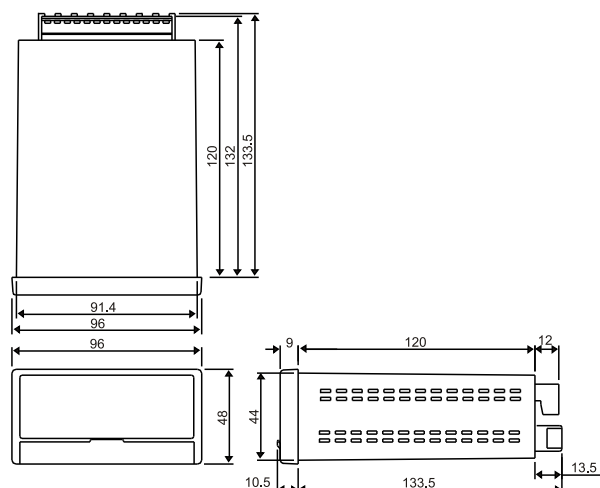
Panel Cut-Out : 91.5(W) x44(H)mm

ISO 9001

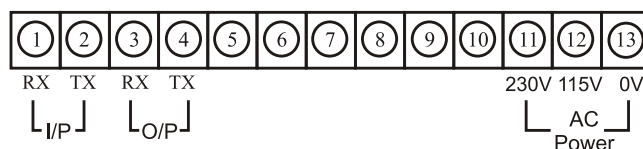
Order Code



Dimensions



Connection Diagram



得益工業儀器有限公司

DER EE

ELECTRICAL INSTRUMENT CO., LTD.

台灣台北縣中和市中山路二段351號7F之2(華隆科技大樓)
 7F-2, NO.351, SEC.2, CHUNG SHAN ROAD.,
 CHUNG HO CITY, TAIPEI HSIEN, TAIWAN
 TEL:886-2-2226-6789(REP.) FAX:886-2-2226-7979
 E-mail:deree@ms21.hinet.net

http://www.deree.com.tw

ISO 9001

Appearance and specification may be revised if needed without notice in prior.