



DE-M33V 3 ϕ 3W Voltage Meter

DE-M34V 3 ϕ 4W Voltage Meter

DE-M33A 3 ϕ Current Meter

Features

- Can change R. S. T Phase Voltage or Current by front sheet switch or 3~5 seconds auto. Cycle
- True RMS V/A
- Rate free setting
- RS-485 interface (Modbus)-----Option
- ABS fire-retardant case(94-V0)
- DIN case 96 x48mm

Specifications

Display : Red LED 0.56" (14.2mm) high

Max. Display : 4 Digits (9999)

Over range Indication : " O.L " "

Conversion Rate : 1/sec.(AC)

Decimal Point : Settable to any digit position by front sheet switch

Output : RS-485 or RS-232 (Modbus) — Option

Accuracy : AC $\pm 0.2\%$ FS. (23 $\pm 5^{\circ}\text{C}$)

Operating Temp. : 0~50 $^{\circ}\text{C}$ / Below 80%R.H.
(No Condensation)

Storage Temp. : -10~60 $^{\circ}\text{C}$ / Below 70% R.H.
(No Condensation)

Power Supply : AC 115/230V $\pm 10\%$, 50/60Hz
Option : DC 12, 24, 48, 120V $\pm 20\%$

Power Consumption : Approx. 10VA

Dielectric Strength : AC 1500V/1min (Input/Power)

Insulation Resistance : More than 100M Ω at 500VDC

Dimensions : 96(W) x48(H) x144(D)mm

Panel Cut-Out : 91.5(W) x44(H)mm

特性

- 可選擇固定顯示R/S/T相電壓或電流，或3~5秒後自動循環顯示
- 電壓.電流均為有效值 (TRMS)
- 倍數可任意設定
- RS-485輸出介面可訂製
- ABS防火外殼 (94-V0)
- DIN外殼，尺寸96×48cm

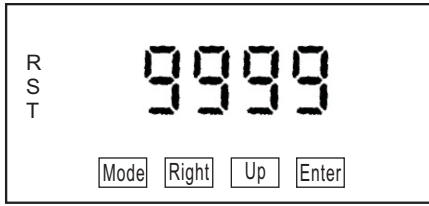
AC Current Measurement

Code	Range	Input Impedance	Input Protection	Display Adjustable
A4	0~5.000A	0.05 Ω	10A	Offset 0~9999 Fullscale 0~9999
A5	0~9.999A	0.01 Ω	15A	

AC Voltage Measurement

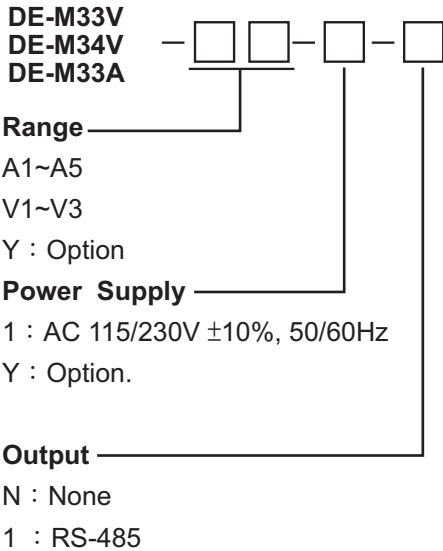
Code	Range	Input Impedance	Input Protection	Display Adjustable
V3	0~ 600.0V	1M Ω	600V	Offset 0~9999 Fullscale 0~9999

■ RS-485 Interface (Option)



Address : 1 ~ FF
 Baudrate : 19200,9600,4800,2400,1200
 Frame : (1)N.8.2
 (2)E.8.1
 (3)O.8.1
 Protocol : Modbus RTU Mode

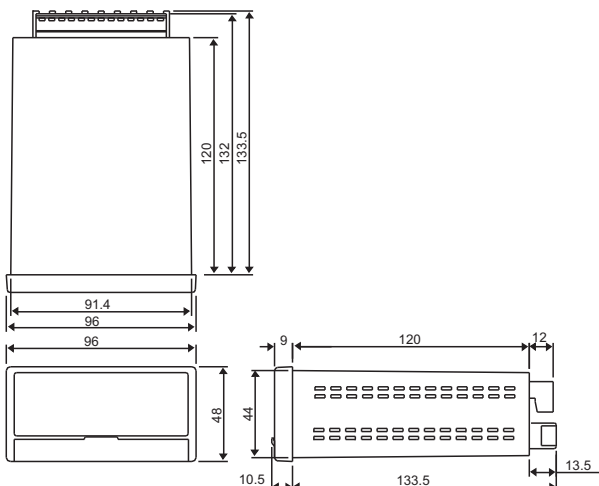
■ Order Code



Code Number

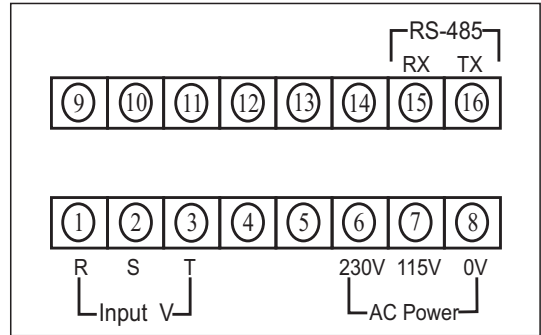
Example : DM - 33A - A4 - 1
 Measurement : AC 0~5.000A TRMS
 Power Supply : AC 115/230V ±10% , 50/60Hz
 Output RS-485

■ Dimensions

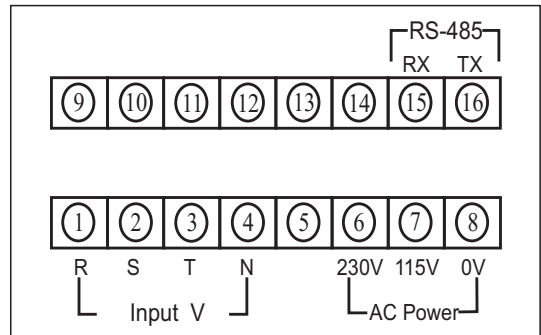


■ Connection Diagram

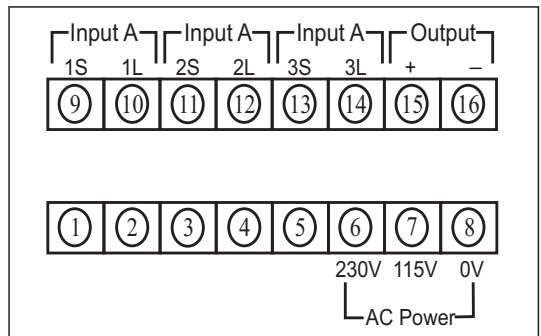
Model : DE-M33V



Model : DE-M34V



Model : DE-M33A



得益工業儀器有限公司

DER EE

ELECTRICAL INSTRUMENT CO., LTD.

台灣台北縣中和市中山路二段351號7F之2(華隆科技大樓)
 7F-2, NO.351, SEC.2, CHUNG SHAN ROAD.,
 CHUNG HO CITY, TAIPEI HSIEN, TAIWAN
 TEL:886-2-2226-6789(REP.) FAX:886-2-2226-7979
 E-mail:deree@ms21.hinet.net

<http://www.deree.com.tw>

ISO 9001

Appearance and specification may be revised if needed without notice in prior.