

DUAL V/A PANEL METER

ISO 9001



DE - D940D DC V/A Meter
DE - D940A TRMS AC V/A Meter

Features

- Dual display (Voltage and Current)
- True RMS V/A
- CT(Shunt) or PT rate free setting
- Direct setting function
- ABS fire-retardant case(94-V0)
- Special non-standar range and scaling available
- DIN case 96 x48mm

Specifications

Display Red LED 0.4" (10.1mm) high
 Green LED 0.3" (7.6mm) high

Max. Display : 4 Digits (9999)

Polarity Display : "—" symbol is displayed automatically

Over range Indication : " O.L "

Conversion Rate : 2.5/sec.(DC) or 1/sec.(AC)

Decimal Point : Settable to any digit position by front sheet switch

Accuracy : $\pm 0.1\%$ FS. ± 2 digit (23 $\pm 5^{\circ}\text{C}$)

Operating Temp. : 0~50°C/ Below 80%R.H.
 (No Condensation)

Storage Temp. : 10~60°C/ Below 70% R.H.
 (No Condensation)

Power Supply : AC 115/230V $\pm 10\%$, 50/60Hz
 Option : DC 24, 48, 120V $\pm 20\%$

Power Consumption : Approx. 5VA

Weight : Approx.500g

Dielectric Strength : AC 1500V/1min (Input/Power)

Insulation Resistance : More than 100M Ω at 500VDC

Dimensions : 96(W) x48(H) x144(D)mm

Panel Cut-Out : 91.5(W) x44(H)mm

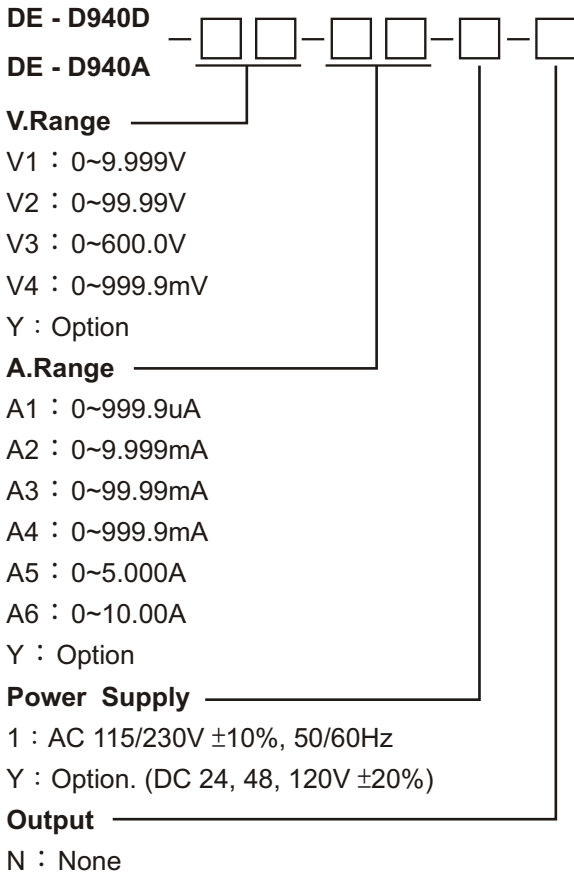
Current Measurement

Code	Range	Input Impedance	Input Protection	Display Adjustable
A1	0~999.9uA	100 Ω	50mA	Offset ± 9999 Fullscale ± 9999
A2	0~9.999mA	10 Ω	150mA	
A3	0~99.99mA	1 Ω	500mA	
A4	0~999.9mA	0.1 Ω	3A	
A5	0~5.000A	0.05 Ω	10A	
A6	0~10.00A	0.01 Ω	15A	

Voltage Measurement

Code	Range	Input Impedance	Input Protection	Display Adjustable
V1	0~ 9.999V	1M Ω	300V	Offset ± 9999 Fullscale ± 9999
V2	0~ 99.99V	1M Ω	300V	
V3	0~ 600.0V	1M Ω	600V	
V4	0~ 999.9mV	1M Ω	300V	

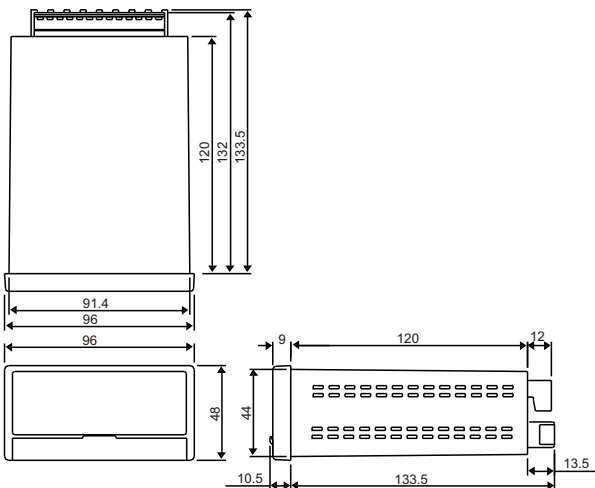
Order Code



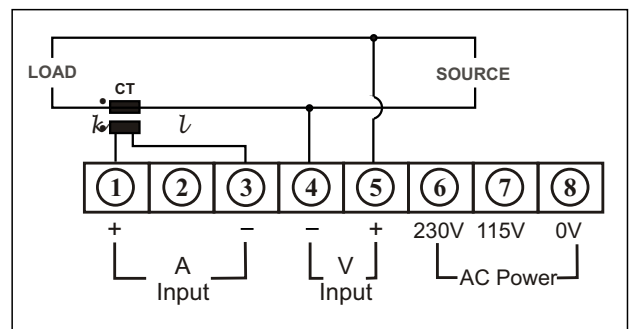
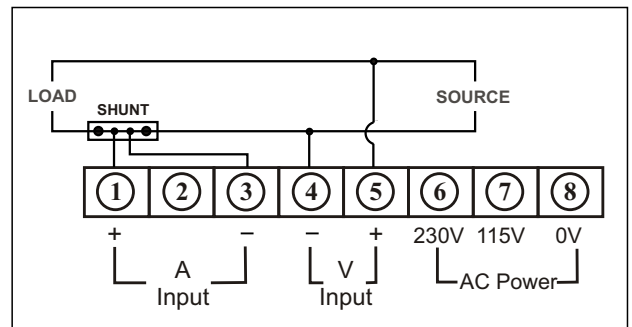
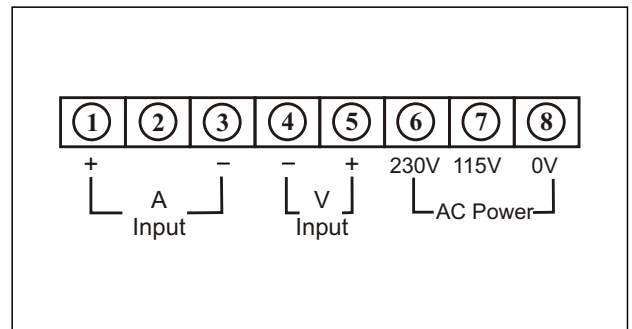
Code Number

Example : DE - D940A - V3 - A5 - 1 - N
 Measurement : AC0~600.0V, AC 0~5.000A TRMS
 Power Supply : AC 115/230V ±10% , 50/60Hz

Dimensions



Connection Diagram



得益工業儀器有限公司

DER EE

ELECTRICAL INSTRUMENT CO., LTD.

台灣台北縣中和市中山路二段351號7F之2(華隆科技大樓)
 7F-2, NO.351, SEC.2, CHUNG SHAN ROAD.,
 CHUNG HO CITY, TAIPEI HSIEN, TAIWAN
 TEL:886-2-2226-6789(REP.) FAX:886-2-2226-7979
 E-mail:deree@ms21.hinet.net

http://www.deree.com.tw

ISO 9001

Appearance and specification may be revised if needed without notice in prior.