



DE - 3V 3 ϕ Voltage Meter
DE - 3A 3 ϕ Current Meter

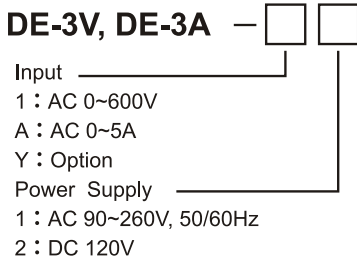
Features

- TRMS Voltage or Current
- Fullscale rate free setting
- Case 110 x 110mm

Specifications

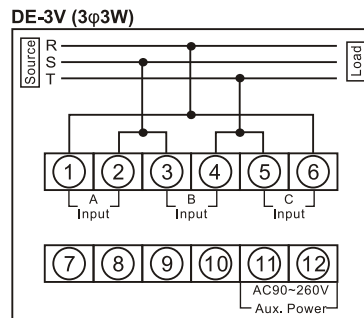
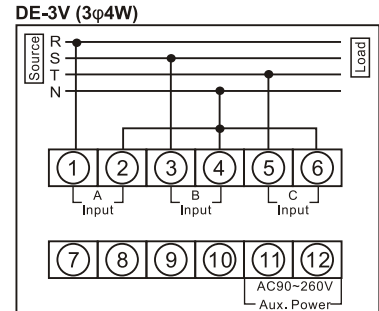
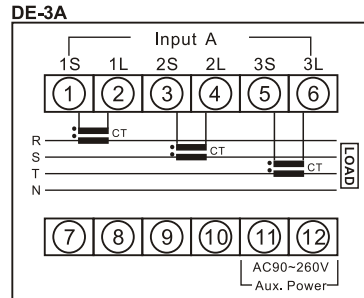
| | |
|-------------------------|-------------------------------------------------------------|
| Display : | Red LED 0.4" high |
| Max. Display : | 4 Digits (9999) |
| Over range Indication : | " O.L " |
| Conversion Rate : | 1/sec. |
| Decimal Point : | Settable to any digit position by front sheet switch |
| Input | Voltage 0~600V, Current 0~5A |
| Input Frequency : | 45~65Hz |
| Accuracy : | $\pm 0.25\%$ FS. ± 1 digit (23 $\pm 5^\circ\text{C}$) |
| Operating Temp. : | 0~60 $^\circ\text{C}$ / Below 80%R.H. |
| Storage Temp. | -10~70 $^\circ\text{C}$ / Below 70% R.H. |
| Power Supply : | AC 90~260V, 50/60Hz |
| Option : | DC 24, 48, 120V $\pm 20\%$ |
| Power Consumption : | Approx. 6VA |
| Dielectric Strength : | AC 1500V/1min (Input/Power) |
| Insulation Resistance : | More than 100M Ω at 500VDC |
| Dimensions : | 110(W) x 110(H) x 140(D)mm |

Order Code

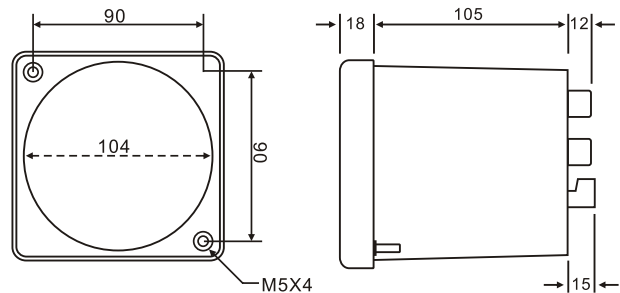


3 PHASE VOLTAGE/CURRENT METER

Connection Diagram



Dimensions (mm)



得益工業儀器有限公司

DER EE

ELECTRICAL INSTRUMENT CO., LTD.

台灣台北縣中和市中山路二段351號7F之2(華隆科技大樓)
 7F-2, NO.351, SEC.2, CHUNG SHAN ROAD.,
 CHUNG HO CITY, TAIPEI HSIEN, TAIWAN
 TEL:886-2-2226-6789(REP.) FAX:886-2-2226-7979
 E-mail:deree@ms21.hinet.net

http://www.deree.com.tw

ISO 9001

Appearance and specification may be revised if needed without notice in prior.