

## POWER METER



- DE - 12W** 1  $\phi$  2 W Watt Meter
- DE - 33W** 3  $\phi$  3 W Watt Meter
- DE - 34W** 3  $\phi$  4 W Watt Meter

### Features

- Max. display 4 digits  
Auto. Range ( Watt )
- Rate free setting  
True RMS V/A
- RS-485 interface (Option)
- ABS fire-retardant case(94-V0)
- DIN case 96 x48mm

### Specifications

- Display** : 4digits Red LED 0.56" (14.2mm) high
- Parameter setting** : Touch switches
- Accuracy** :  $\pm 0.25\%$  FS.  $\pm 2$  digit ( 23  $\pm 5^{\circ}\text{C}$  ) ----- Watt  
 $\pm 0.5\%$  FS.  $\pm 2$  digit ( 23  $\pm 5^{\circ}\text{C}$  ) ----- Var/PF
- Operating Temp.** : 0~50 $^{\circ}\text{C}$ / Below 80%R.H.  
(No Condensation)
- Storage Temp.** : -10~60 $^{\circ}\text{C}$ / Below 70% R.H.  
(No Condensation)
- Power Supply** : AC 115 / 230V  $\pm 10\%$ , 50/60Hz  
Option : DC 24, 48, 120V  $\pm 20\%$
- Power Consumption** : Approx. 4VA
- Weight** : Approx.550g
- Dielectric Strength** : AC 2000V/1min ( Input/Power )
- Insulation Resistance** : More than 100M $\Omega$  at 500VDC
- Dimensions** : 96(W) x48(H) x144(D)mm
- Panel Cut-Out** : 91.5(W) x44(H)mm

### ISO 9001

#### Input

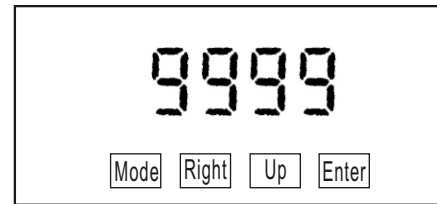
Model	Circuit	AC Input			Max. Reading
		Voltage	Current	Frequency	
DE-12W	1 $\phi$ 2 W	120V 240V 480V	1A 5A 10A	50Hz 60Hz	W / Var 999.9(W / Var) 9.999(KW/Var) 99.99(KW/Var) Power Factor -0.100~ $\pm$ 1.000~+0.100
DE-33W	3 $\phi$ 3 W				
DE-34W	3 $\phi$ 4 W				

Watt : 4 digits, auto. Range

Burden : Voltage 0.2VA  
Current 0.2VA

Max. over : Voltage  $\rightarrow$  AC 650V continuous  
Current  $\rightarrow$  3 x rated continuous

#### RS-485 Interface (Option)



Address : 1 ~ FF

Baudrate : 19200,9600,4800,2400,1200

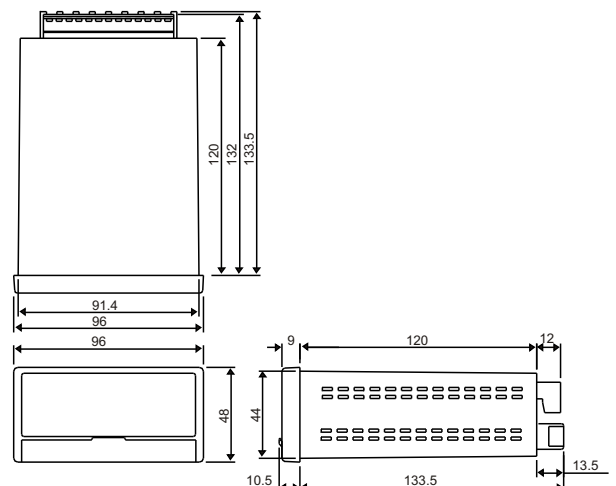
Frame : (1)N.8.2

(2)E.8.1

(3)O.8.1

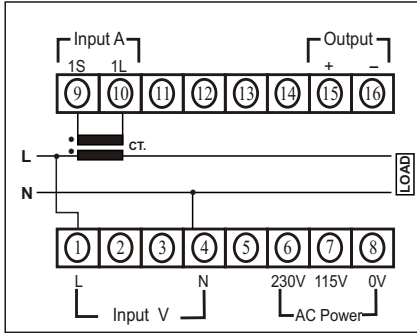
Protocol : Modbus RTU Mode

#### Dimensions

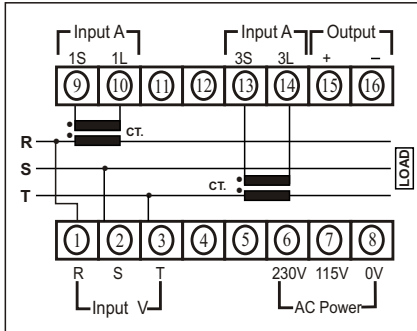


## ■ Connection Diagram

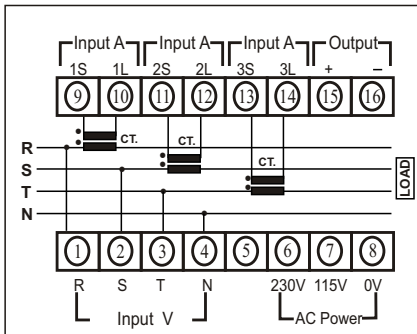
Model : DE-12W



Model : DE-33W



Model : DE-34W



## ■ Order Code

DE - 12W  
DE - 33W  
DE - 34W

### Input AC V

- 1 : 120V
- 2 : 240V
- 3 :  $\sqrt{3} \cdot 120V/120V$
- 4 :  $\sqrt{3} \cdot 240V/240V$
- Y : Option

### Input A

- 1 : 0.01~1A
- 2 : 0.05~5A
- Y : Option

### Input Freq.

- 1 : 50Hz
- 2 : 60Hz
- Y : Option

### Power Supply

- 1 : AC 115/230V  $\pm 10\%$ , 50/60Hz
- Y : Option. (DC 24, 48, 120V )

### Output

- N : None
- 1 : RS-485

### Code Number

Example : DE -33W - 122 - 1 - 1

Input : AC 120V , 0.05~5A , 60Hz

Power Supply : AC 115/230V  $\pm 10\%$  , 50/60Hz

Output : RS-485

得益工業儀器有限公司

**DER EE**

**ELECTRICAL INSTRUMENT CO., LTD.**

台灣台北縣中和市中山路二段351號7F之2(華隆科技大樓)

7F-2, NO.351, SEC.2, CHUNG SHAN ROAD.,

CHUNG HO CITY, TAIPEI HSIEN, TAIWAN

TEL:886-2-2226-6789(REP.) FAX:886-2-2226-7979

E-mail:deree@ms21.hinet.net

http://www.deree.com.tw

ISO 9001

Appearance and specification may be revised if needed without notice in prior.